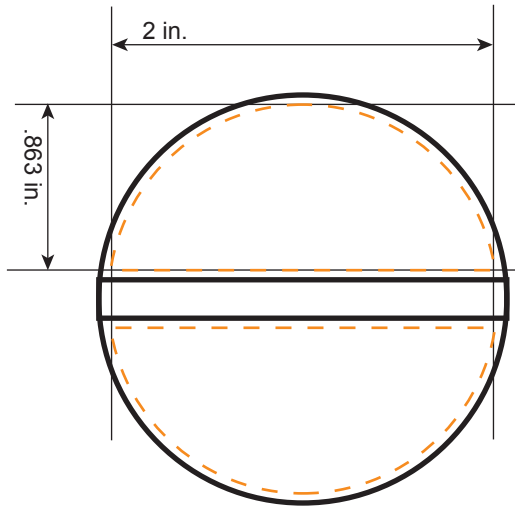


Screw

All dimensions are actual size.

————— **Die Line**
Actual Item Shape

- - - - - **Imprint Area**
All important text/logos/info need to stay inside this line



COMMENTS:

All raster-based artwork should be at least 1200 dpi. When sending vector artwork (Adobe Illustrator, Corel Draw, Macromedia Freehand) please convert all type to paths or outlines or include the printer and screen font files.